

SPECIFICATION FOR APPROVAL

Model NO: B0104-03/2.5F

Item Code: 2.5 Inch LED Down Light

Model NO: V1.2

发行者: Berdis Lighting Co.,LTD.

版权者: Berdis Lighting Co.,LTD.

Customer Confirm :

TESTED BY	CHECKED BY	APPROVED BY

Berdis Confirm :

PREPARED BY	CHECKED BY	APPROVED BY
Tony Lai		

一、 Application:

- ★ Energy efficient: The Utilization more than 80% form electric energy into Light energy for LED, can save energy more 70% than traditional down lights;
- ★ Life time: The lifetime over 50000hs if calculated according to 50% light decay, especially suited to the lighting for a long time or the high altitude, etc;
- ★ Good light effect: Soft light, good CRI, start quickly, no flicker,;
- ★ High compatibility: LED 's installation size match traditional down light;
- ★ Input Voltage: N0N-Dimmable,AC85-265V, DimmableAC200-240V, Power Factor \geq 0.9,;
- ★ Easy installation: the installation without changing the original circuit can be directly connected to AC power.
- ★ Environmental protection: LED Down light have no ultraviolet, infrared and other radiation, no mercury and other harmful substances, less heat;

Applications: LED down light have outstanding performance in Large-scale indoor lighting for that energy saving, environmental protection and lifetime, product is suitable for supermarkets, shopping malls, schools, hospitals, municipal buildings, showrooms, office, home and other indoor lighting.。

二、 SIZE:



三、 Optical Specifications:

Power	5W	6W		
LED Package	SMD5730	SMD5730		
LED Number	10	12		PCS
Light angle	120			°
CRI≥	82			Ra
Color temperature	2700-3300	4000-4500	5700-6300	K
Luminous Efficiency≥	80	82	85	LM/W
Illuminance≥	1m=576 ; 2m=144 ; 3m=64 ; 4m=36 ;			LUX

四、 Electric specifications:

Input voltage	NON-Dimmable:AC85-265V	Dimmable:AC110-265V
Working frequency	50/60	
LED Working current	135±5%	
PF≥	90	
Power supply efficiency≥	86	
EMC	C-Tick/RCM/TUB-CE/TUB-CB/ROHS/IEC/IC	*****
Safety standard	IEC 61347-2-13; AS/NZS 61347.1:2002	A1311734EA

五、 Mechanism:

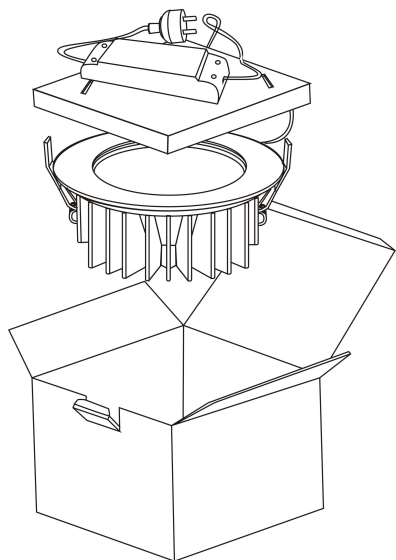
Material	PC+Aluminum	
AC cable length	150	mm
DC cable length	/	mm
Hole size	∅ 75	mm
Lamp size	∅ 90*65	mm
Protection class	IP21	***

六、 Environment:

Operating temperature	-10~40	°C
Operating humidity	≤85	%RH
Store temperature	-30~65	°C
Store humidity	≤85	%RH

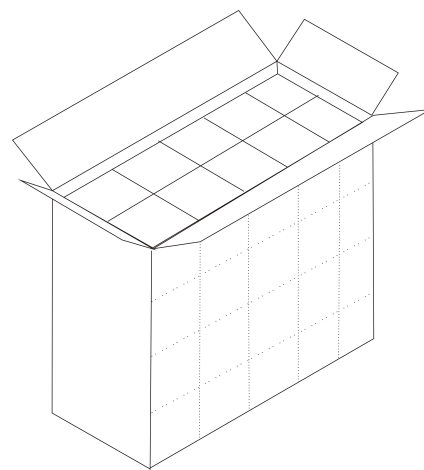
七、 Package:

Box size	L100*W100*H80	mm
Carton size	L520*W215*H420	mm
N.W/PCS	0.23	KG
G.W/PCS	0.29	KG
N.W/CTN	11.5	KG
G.W/CTN	14.5	KG



(50PCS)

Package diagrammatic sketch



Carton diagrammatic sketch

八、Diagrammatic sketch for installation:

1. Open a mounting hole A with diameter ϕ 75mm as shown in figure 1:

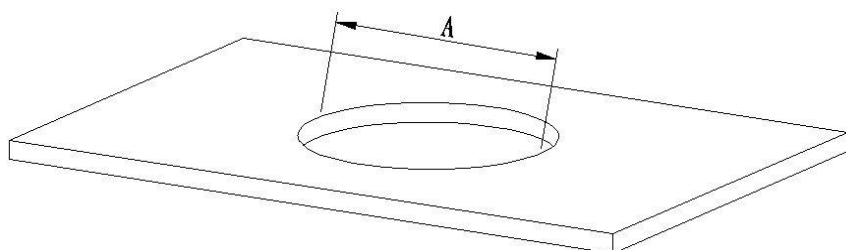


Figure 1

2. Pull out the power supply connect to the driver input, then fold up the mounting clip 90 degrees as shown in figure 2:

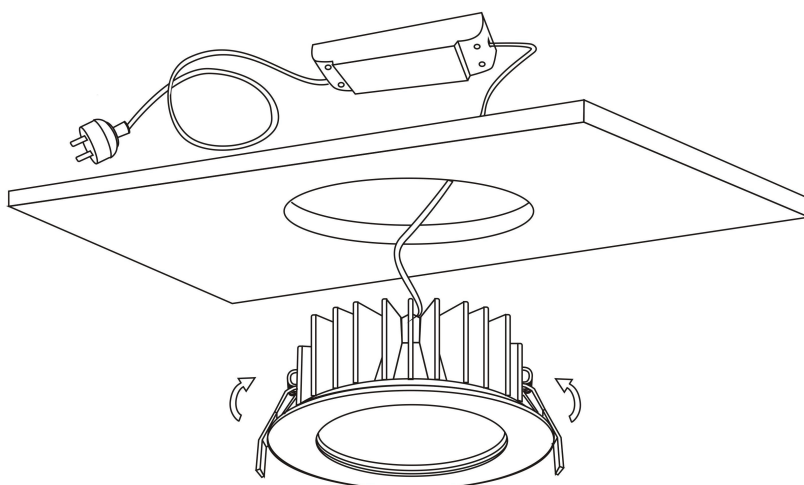


Figure 2

3. Align the mounting holes and push up of arrow direction until it is completely installed in the ceiling, turn on the power, lighting installation is complete as shown in. figure 3.:

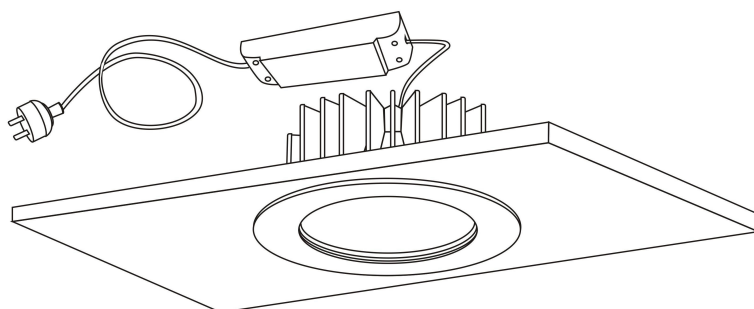


Figure 3

九、Manual:

. Please read the specification first to make sure the using condition is fit

- 1、 Please shut off the switch before connecting the product;
- 2、 Indoor use only;

十、 Test report

1. Warm white (3000±300K)

LED Optic Colorimetric Electric Comprehensive Test Report

LED Model:	B0104-03/2.5F	LED NUM:	3	Temperature:	25.0 °C
Test Date:	2017-01-11	Test Time:	15:12:19	Humidity:	15.0 %

Color Parameter

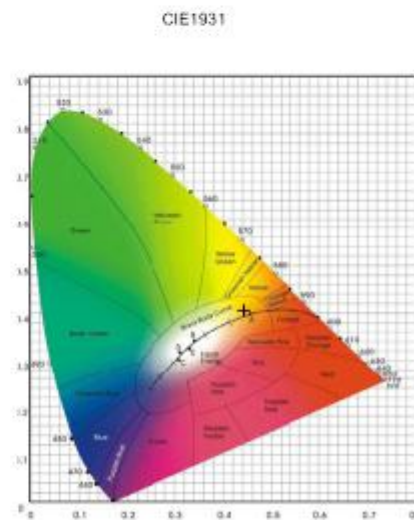
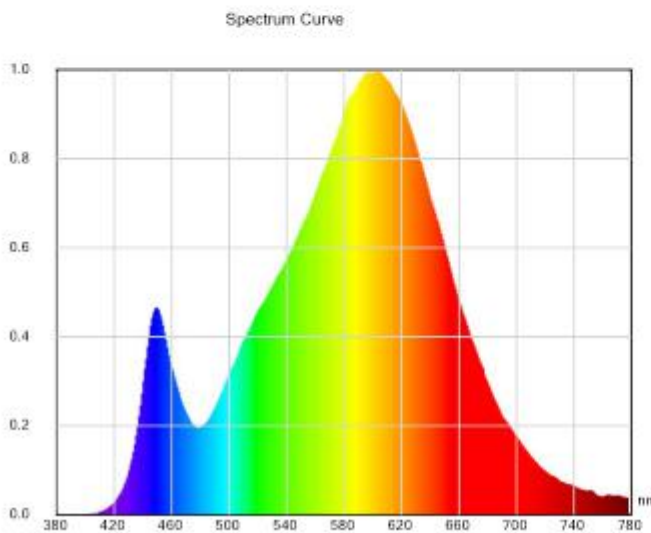
Dominant Wavelength:	582.9 nm	Peak Wavelength:	606.2 nm	FWHM:	131.7 nm
Color Coordinate(x,y):	(.4384, .4044)	Color Coordinate(u,v):	(.2513, .3478)	Color Purity:	0.530
Color Temperature:	2988 K	Ra:	82.55	Chromatism:	1.55 SDCM
Rc:	80.3 89.5 96.8 80.4 80.7 87.0 83.4 61.4 11.8 74.7 78.4 68.8 82.1 98.5				

Optical Parameter

Luminance:	0.00 cd/m ²	Intensity:	0.00 mcd	Luminous Flux:	549.18 lm
Luminous Power:	0.00 mW	Purple Power:	0.00 mW	Optical efficiency:	83.21 lm/W

Electric Parameter

Forward Current:	0.00 mA	Forward Voltage:	224.70 V	Electric Power:	6.6 mW
Reverse Current:	0.05 μA	Reverse Voltage:	0.94 V		



Test Apparatus Model: SSP3112 LED colour separation and light splitting test system

2. Daylight (6000±300K)

LED Optic Colorimetric Electric Comprehensive Test Report

LED Model:	B0104-03/2.5F	LED NUM:	2	Temperature:	25.0 °C
Test Date:	2017-01-11	Test Time:	15:50:56	Humidity:	15.0 %

Color Parameter

Dominant Wavelength:	511.5 nm	Peak Wavelength:	452.6 nm	FWHM:	30.1 nm
Color Coordinate(x,y):	(.3290, .3393)	Color Coordinate(u,v):	(.2051, .3174)	Color Purity:	0.014
Color Temperature:	5659 K	Ra:	85.27	Chromatism:	10.15 SDCM
Pcc	86.5 92.5 94.5 86.2 86.5 87.4 89.1 75.5 31.6 79.1 85.4 64.9 88.6 97.4				

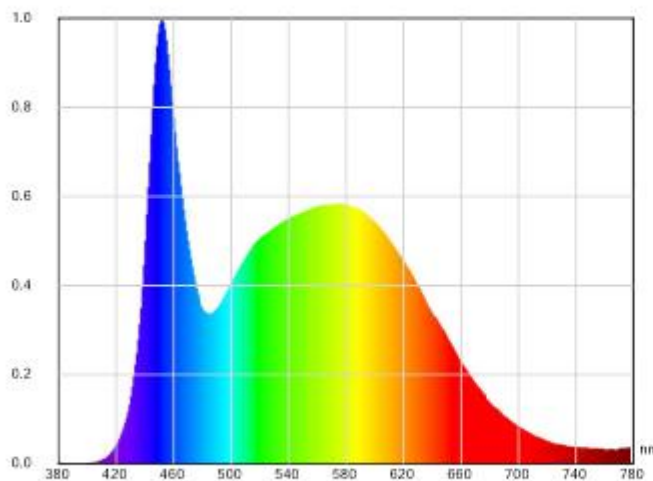
Optical Parameter

Luminance:	0.00 cd/m ²	Intensity:	0.00 mcd	Luminous Flux:	546.84 lm
Luminous Power:	0.00 mW	Purple Power:	0.00 mW	Optical efficiency:	84.13 lm/W

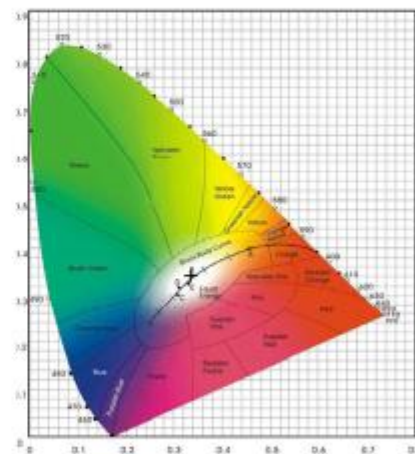
Electric Parameter

Forward Current:	0.00 mA	Forward Voltage:	225.00 V	Electric Power:	6.50 mW
Reverse Current:	0.05 μA	Reverse Voltage:	0.96 V		

Spectrum Curve



CIE1931



Test Apparatus Model:SSP3112 LED colour separation and light splitting test system